



F900 SERIES

User, installation and servicing instructions

GAS GRIDDLE

G9541, G9541R, G9541CR, G9581, G9581R, G9581CR

Read these instructions before use

DATE PURCHASED:

MODEL NUMBER:

SERIAL NUMBER:

DEALER:

SERVICE PROVIDER:

T100891

REV. 13

Dear Customer,
Thank you for choosing Falcon Foodservice Equipment.

This manual can be downloaded from www.falconfoodservice.com or scan here.



IMPORTANT: Please keep this manual for future reference.

Falcon Foodservice Equipment

HEAD OFFICE

Wallace View, Hillfoots Road, Stirling. FK9 5PY. Scotland.



WEEE Directive Registration No. WEE/DC0059TT/PRO

At end of appliance life, dispose of appliance and any replacement parts in a safe manner, via a licensed waste handler. Appliances are designed to be dismantled easily and recycling of all material is encouraged whenever practicable.

SYMBOLS



• SPANNER



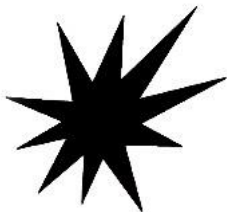
• SCREWDRIVER



• COOKING OIL



• GREASE



• SPARK IGNITION

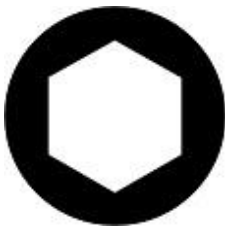


• FLAME



• WARNING

• VIEWPORT



• ALLEN KEY



• IGNITER



These instructions are only valid if the country code appears on the appliance. If the code does not appear on the appliance, refer to the technical instructions for adapting the appliance to the conditions for use in that country.

Installation must meet national or local regulations. Attention must be paid to: gas safety (installation & use) regulations, health and safety at work act, local and national building regulations, fire precautions act.

To prevent shocks, all appliances must be earthed.

This equipment is for professional use only and must be used by competent persons.

The installer must instruct the responsible person(s) of the correct operation and maintenance of the appliance.

Training and competence

To help ensure the safe use of this appliance there is a requirement for you to provide whatever information, instruction, training and supervision as is necessary to ensure, so far as is reasonably practicable, the health and safety of all users.

For further help and information on training and competence we would refer you the Health and Safety Executive website; www.hse.gov.uk document ref: health and safety training INDG345. International customers should default to the health and safety guidelines provided by your government body.

Risk assessment

As part of managing the health and safety of your business you must control any risks identified in your commercial kitchen. To do this you need to think about what might cause harm to people and decide whether you are taking reasonable steps to prevent that harm. This is known as risk assessment. It is important to consider the environment around the product as well as the product itself. For example oil or food spills will present a significant risk so users so the need to immediately clean up such spills must be reflected in staff training.

For further help and information on risk assessments we would refer you to you the Health and Safety Executive website; www.hse.gov.uk document ref: risk assessment INDG163. International customers should default to the health and safety guidelines provided by your government body.

Cleaning and maintenance

PREVENTATIVE MAINTENANCE CONTRACT

To obtain maximum performance from this unit regular servicing of the appliance should be undertaken to ensure correct operation, it is functioning as intended, and safe to use. We recommend servicing in accordance with SFG20 Maintenance Schedules and as a minimum, after 2,500 hours of use, or annually, whichever comes first and that a maintenance contract be arranged with an appointed service contact. Visits may then be made at agreed intervals to carry out adjustments and repairs.

When removing heavy items to aid cleaning or maintenance particular care should be taken. A manual handling risk assessment is the best way to determine the level of risk to anyone using or maintaining this equipment. To help with such an evaluation we have included the weights of individual components that may present significant risk.

For further help and information on manual handling and associated risk assessment we would refer you to you the Health and Safety Executive website; www.hse.gov.uk document ref: manual handling at work INDG143. International customers should default to the health and safety guidelines provided by your government body.

The cleaning of fryers or other products that use hot oil present significant risks to end users and particular care should be taken. Cold water and hot oil for example are an explosive mix and should be avoided at all costs.

Other useful references for health and safety issues

www.hse.gov.uk

Essentials of health and safety at work ISBN978

Noise at work INDG362

Safe systems of work

Other notes added to the body of the instructions

Only competent persons are allowed to service or convert the appliance to another gas type.

Gas appliances must have a stop cock fitted in the supply pipe work. The user must be familiar with the location and operation of this device in order to turn off the supply of gas in the event of an emergency.

Unless otherwise stated, parts which have been protected by the manufacturer must not be adjusted by the installer.

Take care when moving an appliance fitted with castors.

**The appliance must be serviced regularly by a qualified person.
Service intervals should be agreed with the service provider.**

This appliance may be discolored due to testing.

CONTENTS

1.0	APPLIANCE INFORMATION	7
2.0	OPERATION	8
2.0	COMPONENT PARTS.....	8
2.1	CONTROLS.....	8
2.2	USING THE APPLIANCE	9
3.0	CLEANING AND MAINTENANCE	10
4.0	SPECIFICATION.....	10
5.0	DIMENSIONS / CONNECTION LOCATIONS.....	12
6.0	INSTALLATION.....	13
6.1	SITING / CLEARANCES.....	13
6.2	VENTILATION	14
6.3	GAS SUPPLY & CONNECTION.....	14
6.4	ASSEMBLY	15
6.5	COMMISSIONING.....	15
6.6	SUITING.....	16
7.0	CONVERSION	18
7.1	GAS CONVERSION CHECK LIST	18
8.0	SERVICING	18
8.1	CONTROL PANEL.....	18
8.2	ACCESS PANEL	19
8.3	INJECTORS	19
8.4	PILOT REMOVAL.....	20
8.5	PILOT ASSEMBLY	20
8.6	GAS VALVE.....	21
8.7	PRESSURE ADJUSTMENT	22
8.8	THERMOSTAT BULB REMOVAL.....	22
8.9	BURNER	24
8.10	GOVERNOR.....	25
9.0	WIRING DIAGRAMS.....	26
9.1	WIRING DIAGRAM (G9541CR).....	26
9.2	WIRING DIAGRAM (G9581CR)	27
9.0	FAULT FINDING	28
10.0	SPARE PARTS	29

1.0 APPLIANCE INFORMATION

These appliances have been UKCA/CE-marked based on compliance with the Gas Appliance Regulations/Product Safety and Metrology Regulations for the Countries, Gas Types and Pressures as stated on the data plate.

Falcon Foodservice Equipment			P.I.N	STD.					
A Ser No.	B MODEL	C TYPE	I.P						
D Cat.	ES, GB, GR, IE, IT, PT, SI	BE, FR	BG, CZ, DK, EE, FI, HR, LT, LV, NO, RO, SE, SI, SK, TR	CY, HU, IS, MT, NL	AT, CH	PL	LU	DE	-
E p mbar	I2H3+	I3+	I2H3B/P	I3B/P	I2H3B/P	I2E3B/P	I2E	I2E3B/P	-
F GAS TYPE	20;28-30/37	28-30/37	20;30	30	20;50	20;30	20	20;30	-
G GAS RATE	G20		G30	G31					
H Σ Qn	m ³ /h		kg/h	kg/h					
I EL.	kW		kW	kW					
J Σ kW	kW		kW	kW					
K Σ kHz	kHz		kHz	kHz					
L L1	A	L2	A	L3	A				

A - Serial No

B - Model No

C - Flue Type

D - Gas Category

E - Gas Pressure

F - Gas Type

G - Gas Rate

H - Total Heat Input

I - Electrical Rating

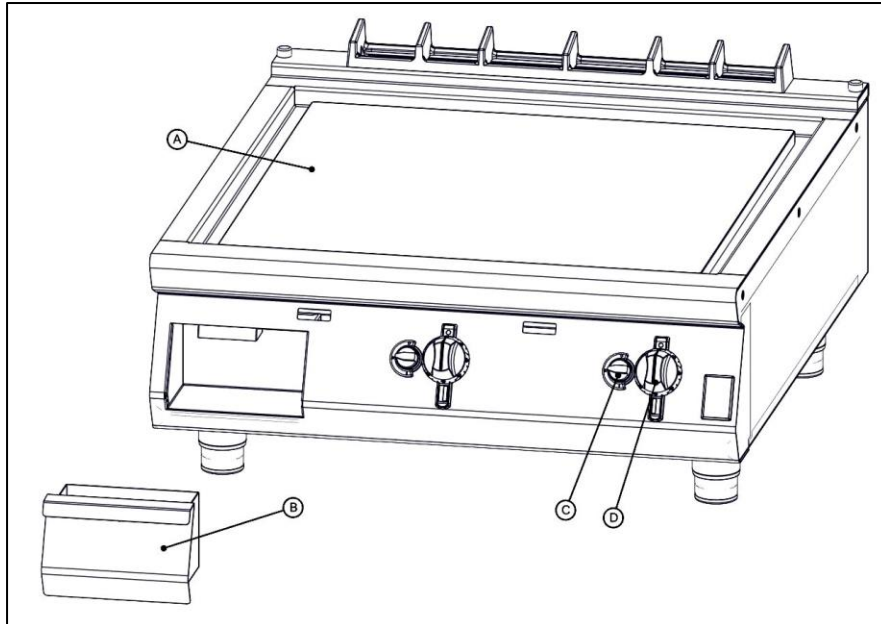
J - Total Electrical Power

K - Magnetic Field Frequency

L - Electrical Phase Loading

2.0 OPERATION

2.0 COMPONENT PARTS



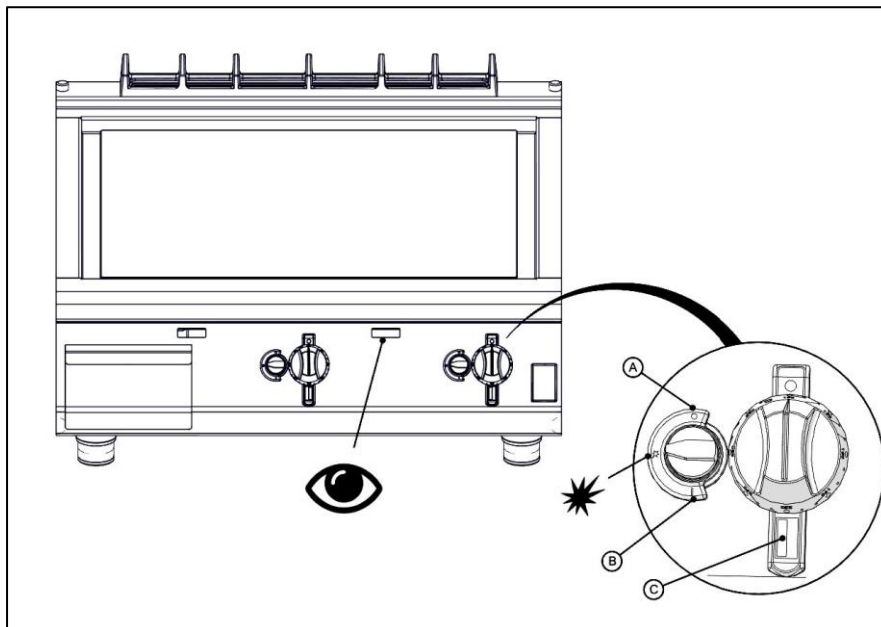
A – Cooking Plate

B – Fat Jug

C – Gas Control

D – Temperature Control

2.1 CONTROLS



A – Gas OFF

B – Gas ON

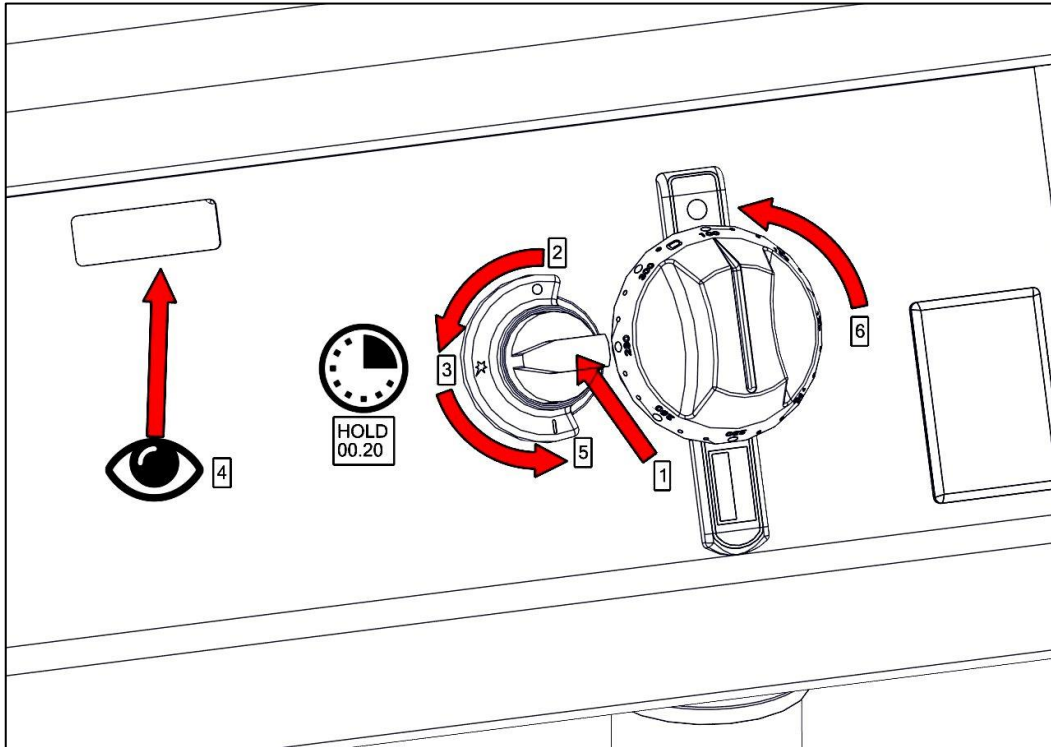
C – Zone Indicator

2.2 USING THE APPLIANCE

2.2.1 Before use, clean the appliance. See section 3.

2.2.2 Ignite the burners as shown. Push the knob in to turn.

2.2.3 Use temperature control knob to adjust temperature.



IF A BURNER TURNS OFF, WAIT 3 MINUTES BEFORE RE-LIGHTING.

2.2.4 Turning The Burner Off

Turn pilot knob to 'OFF' position. Look through the view port to make sure the burner is off.

2.2.5 The minimum temperature of the hottest point of the plate is as follows:

	G9541, G9541R, G9581, G9581R	G9541CR, G9581CR
Temperature	290°C	260°C

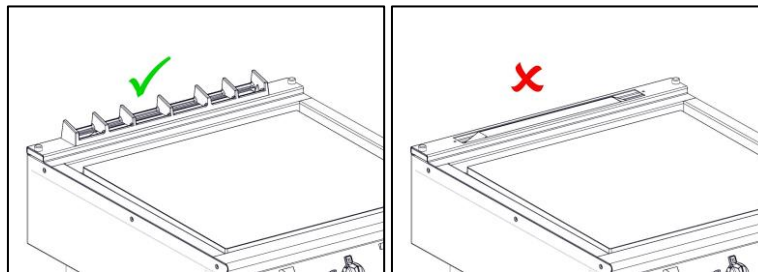
3.0 CLEANING AND MAINTENANCE

MAINTENANCE CHECK

Regular servicing of the appliance should be undertaken to ensure correct operation, it is functioning as intended, and safe to use. We recommend servicing after 2,500 hours of use, or annually, whichever comes first.

Any maintenance schedule should be carried out in accordance with SFG20 Maintenance Schedules. Should any issues with the integrity of the components be identified these should be replaced. If the appliance is not considered safe the unit should be removed from service and the responsible person advised why the unit is not safe to use and what remedial action is needed. Contents of the maintenance schedule should be agreed with the maintenance provider.

- 3.1 Turn off and cool down.
- 3.2 Scrape off burnt on food.
- 3.3 Remove other debris using a cloth.
- 3.4 Clean fat jug.
- 3.5 The flue capper can be removed for cleaning, but must be replaced for use.



DO NOT USE METAL UTENSILS ON CHROME GRIDDLE.

FAILURE DUE TO LACK OF PROPER CLEANING IS NOT COVERED BY WARRANTY.

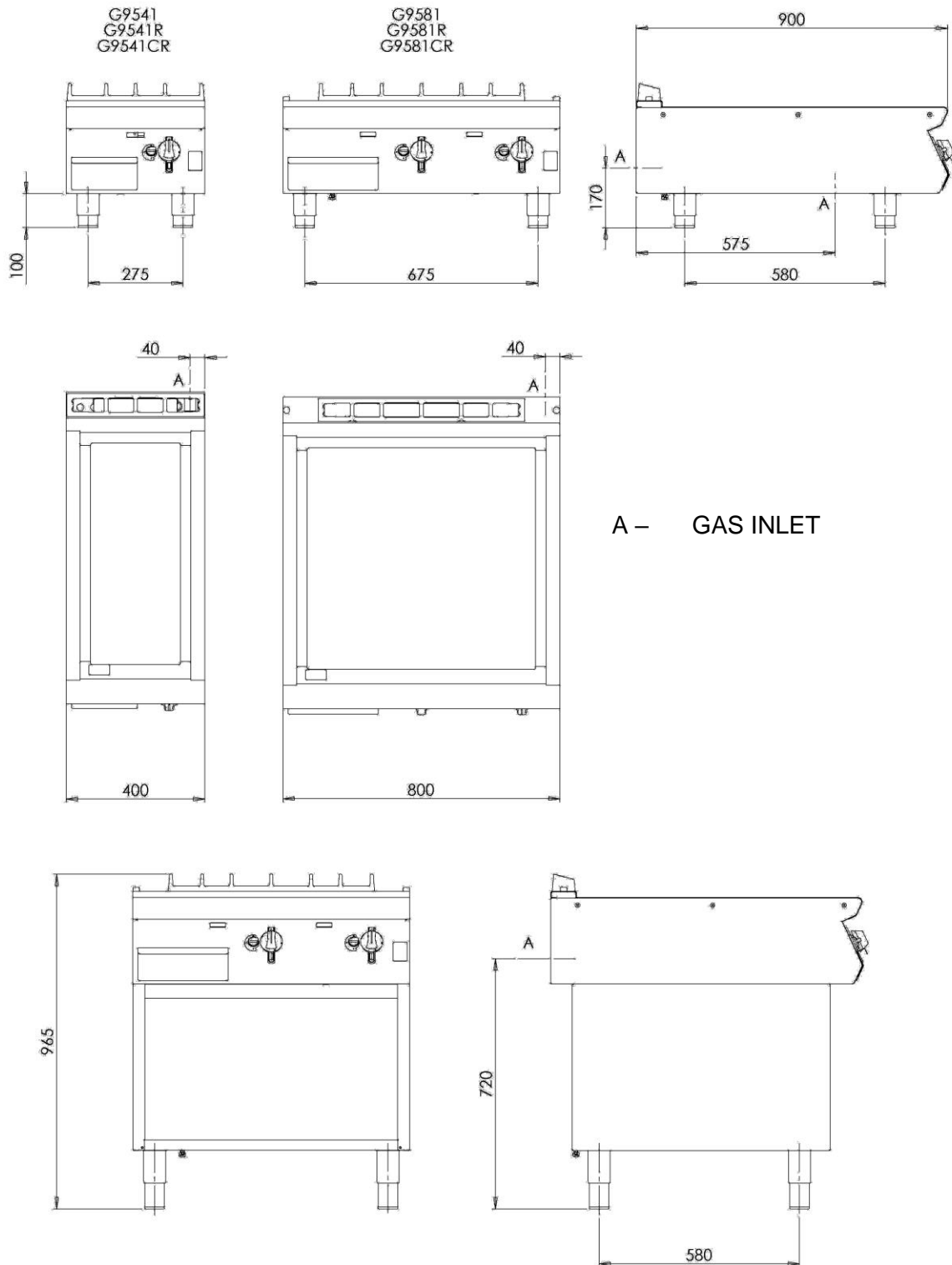
4.0 SPECIFICATION

INJECTOR SIZES				
Gas Type		G20	G30	G31
G9541		2.25	1.50	1.50
G9581		2.25	1.50	1.50
Pilot Injectors		31.2	25	25
Supply Pressure	mbar	20	29/50	37
Operating Pressure	mbar	15	29	37

HEAT INPUTS (kW)			
	G20	G30	G31
G9541	8.2	8.5	8.5
G9581	16.4	17.0	17.0

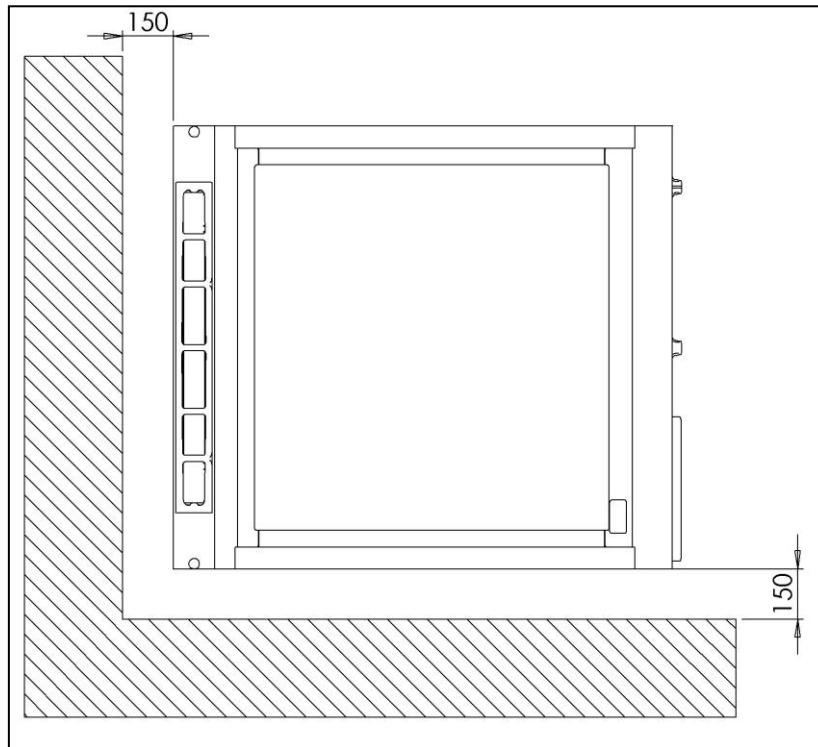
Pilot Rate 0.21KW

5.0 DIMENSIONS / CONNECTION LOCATIONS



6.0 INSTALLATION

6.1 SITING / CLEARANCES



CAUTION: WALLS CLOSER THAN 150mm TO THE APPLIANCE MUST BE NON COMBUSTIBLE. IF SITING THE NECESSARY CLEARANCES TO ANY CUMBUSTIBLE WALL MUST BE THE LARGEST FIGURE GIVEN FOR INDIVIDUAL APPLIANCES INSTRUCTIONS.

6.2 VENTILATION

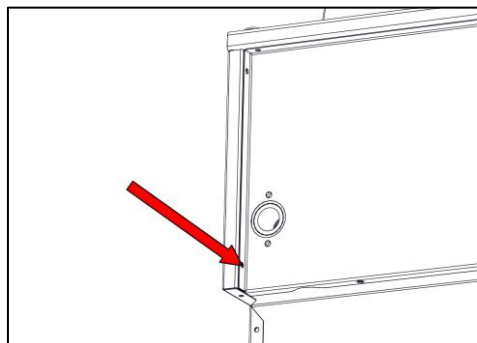
This appliance must be installed with sufficient ventilation to prevent the occurrence of unacceptable concentrations of substances harmful to health in the room in which they are installed. Installer must consult any additional local / national regulations.

COMBUSTION AIR REQUIREMENTS		
	G9541	G9581
G20	8m ³ /h	15m ³ /h
G30	8m ³ /h	16m ³ /h
G31	8m ³ /h	16m ³ /h

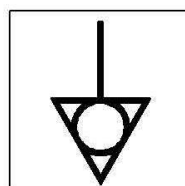
6.3 GAS SUPPLY & CONNECTION

6.3.1 Installation pipe work should be fitted in accordance with local / national standards. The pipe work must not be smaller than unit gas inlet connection, i.e. Rp³/₄ (3/4" B.S.P.). If using flexible hosing, the hose must be sized to conform with the hose manufacturers specifications and the length must not exceed 1.5m. An isolating valve must be located close by for shut-down during an emergency or servicing.

6.3.2 If flexible hose is used, it shall comply with national requirements. These must be periodically examined and replaced as necessary. If a retention chain is required then attach this to the fixing shown below.

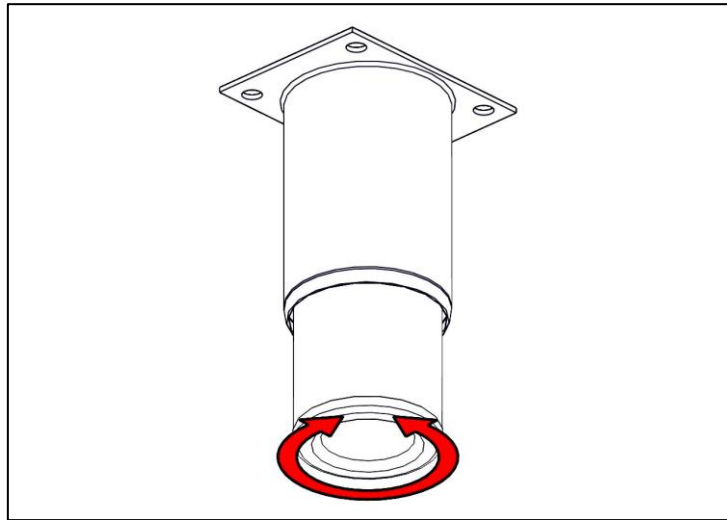


6.3.3 This appliance is also provided with a terminal for connection of an external equipotential conductor. This terminal is in effective electrical contact with all fixed exposed metal parts of the appliance, and shall allow the connection of conductor having a nominal cross-section area of up to 10mm². It is located at the rear of the unit and identified by the following label and must only be used for bonding purposes.



6.4 ASSEMBLY

6.4.1 Position appliance and level using feet adjusters as shown below.



6.4.2 Connect appliance to gas supply and test for gas tightness (see 6.3)

6.5 COMMISSIONING

- 6.5.1 Remove control panel (see 8.1)
- 6.5.2 Ensure burner pressure is correct (see 8.7 for pressure adjustment)
- 6.5.3 Light pilots and ensure all stay lit.
- 6.5.4 Turn on main burners. Ensure correct cross lighting occurs.
- 6.5.5 Check for flame stability.
- 6.5.6 Operate controls ensuring they turn smoothly.
- 6.5.7 Turn off appliance.
- 6.5.8 Replace control panel.

If the appliance does not operate correctly please refer to section 9.0 and rectify the problem.

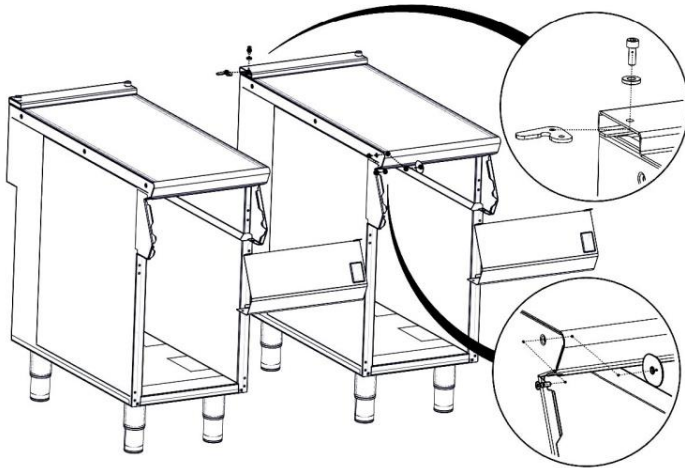


PLEASE FILL OUT THE INFORMATION TABLE ON THE FRONT COVER AFTER COMMISSIONING.

6.6 SUITING

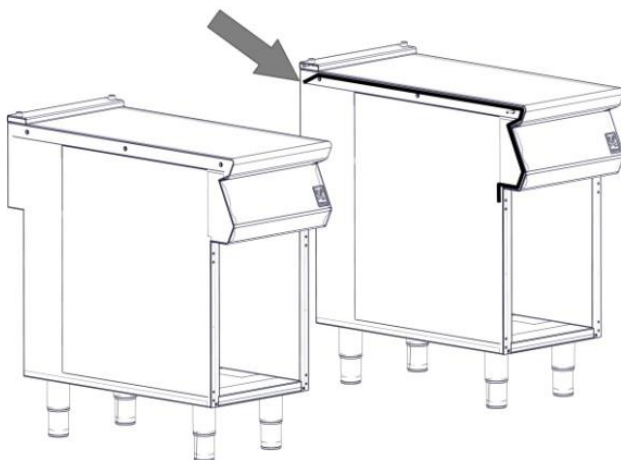
“Patent No. GB 2540131”

- 6.6.1 Before leveling and suiting units ensure the units are fully built, including all accessories and castings.
- 6.6.2 Undo the 4 fixing screws on the control panel and remove.
- 6.6.3 Remove the hob rear infill and replace with rear suiting plate and fixings.
- 6.6.4 Remove the front side panel countersunk screw and suiting plate.

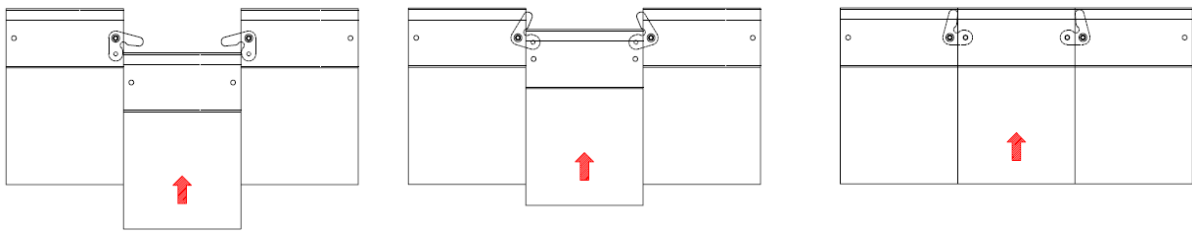


NOTE: The DLS system is designed to give a quick and easy suiting solution. If you require an improved seal between appliances we recommend you use, a food grade, high temperature silicon sealant. This can be supplied by Falcon part no – 523400021

- 6.6.5 Run a bead of silicon 5mm from profile edge as highlighted below.



6.6.6 Slide suited units into position.

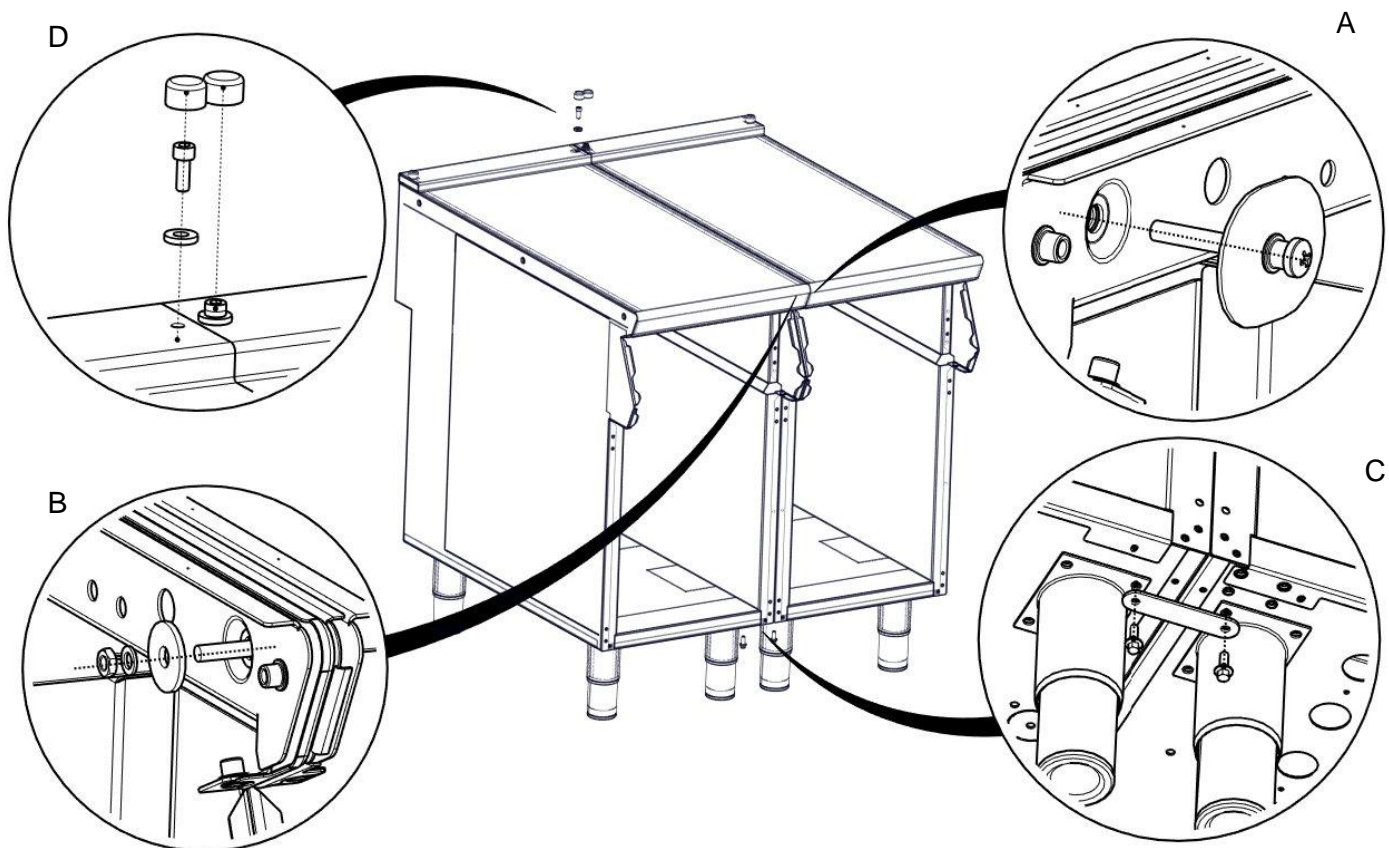


6.6.7 Right hand unit: Screw the M5 x 40 screw (supplied in the kit) into one of the suiting plates as shown and then insert through the front fixing holes of both units.

6.6.8 (B) Left hand unit: Slide the penny and lock washer on to the screw and secure using the M5 nut.

6.6.9 (C) Remove the front bolts from feet, insert base tie plate and secure the bolts back into position.

6.6.10 (D) Replace fixings on the rear hob and tighten screw caps into position.



6.6.11 Replace control panel. .

7.0 CONVERSION



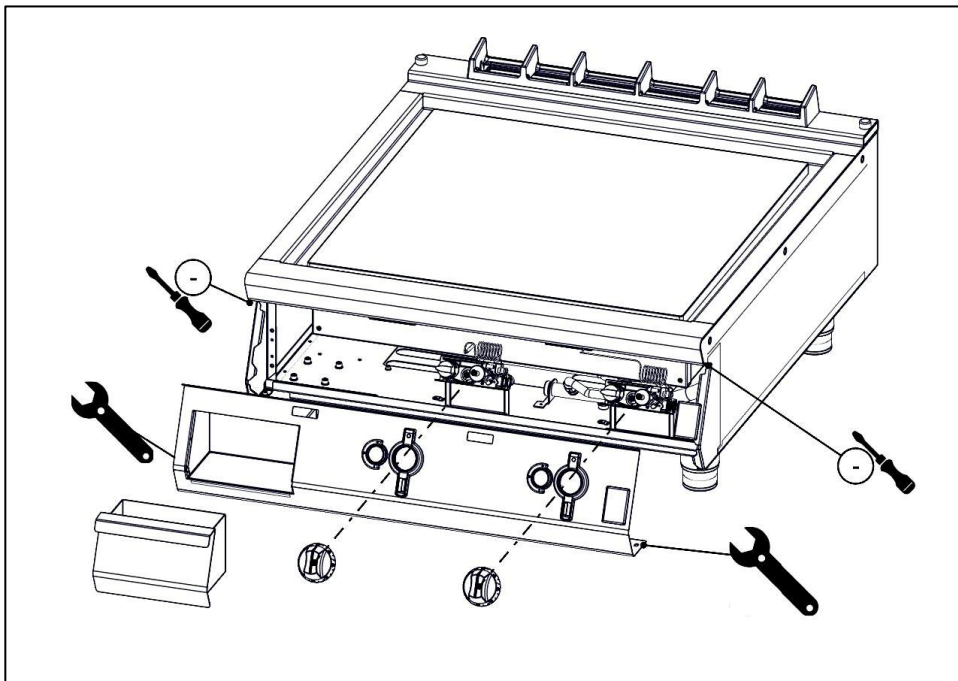
BEFORE INSPECTION, SERVICING OR CONVERSION, TURN OFF GAS AT ISOLATOR.

7.1 GAS CONVERSION CHECK LIST

- Change injectors in burner(s) and pilot(s) (see 8.3 & 8.5).
- Change gas type label.
- For G30 (50mb) fit Governor (see 8.11).
- Adjust pressure at valve to values stated in section 4.0 (see 8.7 for pressure adjustment).

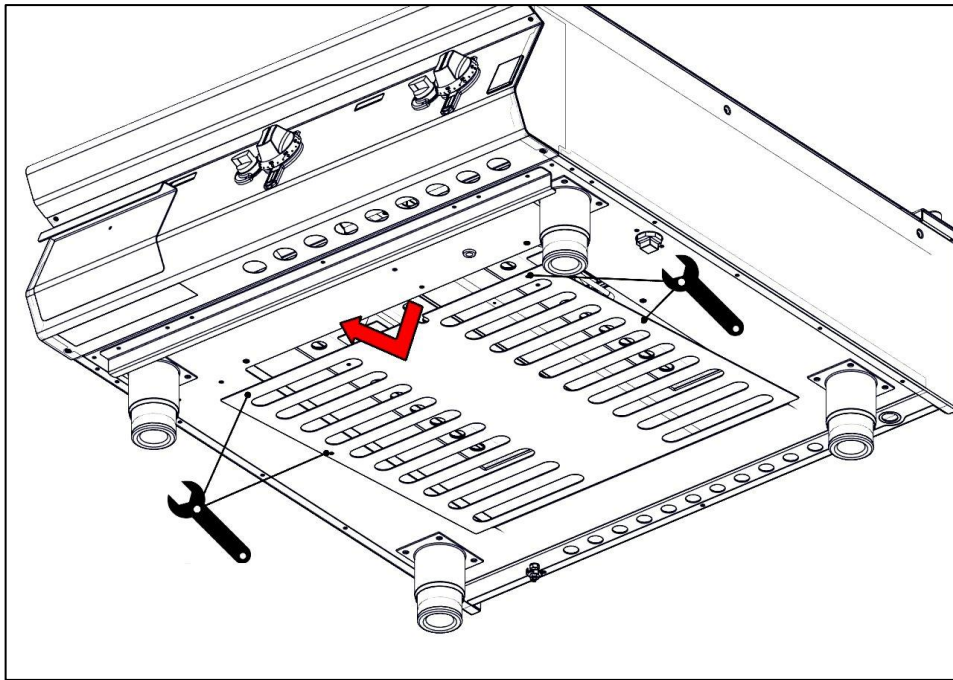
8.0 SERVICING

8.1 CONTROL PANEL



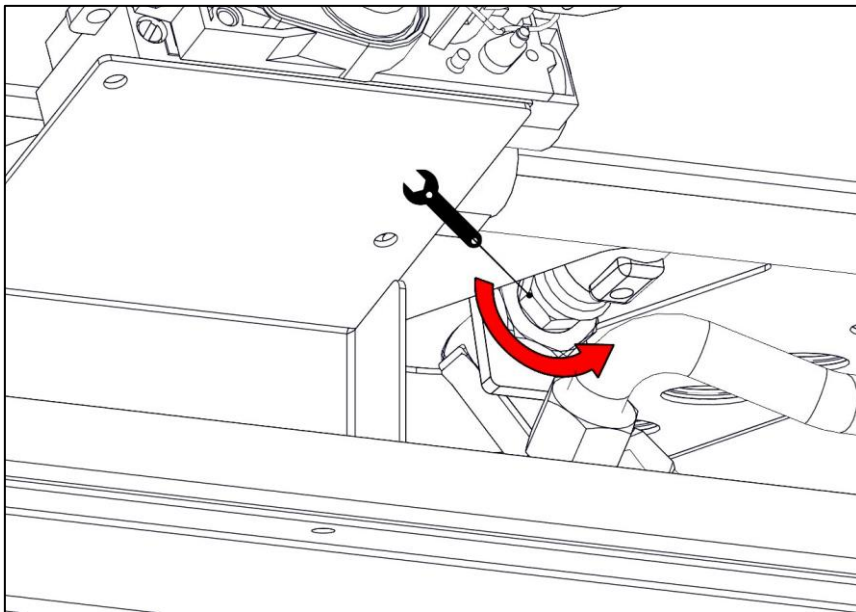
8.1.1 Remove control panel as shown.

8.2 ACCESS PANEL



8.2.1 Remove base access panel as shown.

8.3 INJECTORS

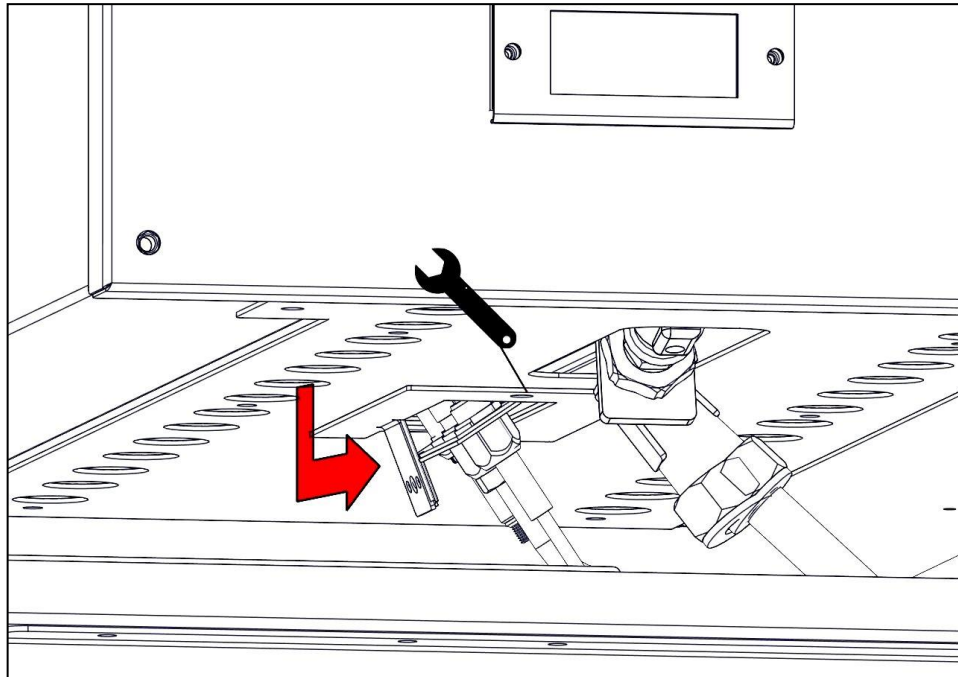


8.3.1 Remove injector as shown.

8.3.2 Clean injector.

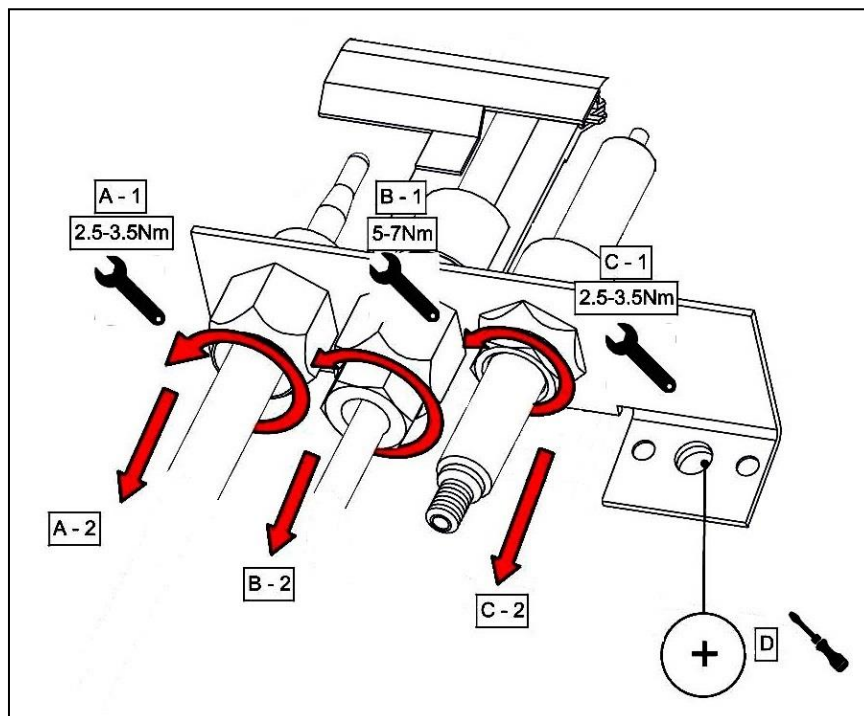
8.3.3 After replacement, check burner performance.

8.4 PILOT REMOVAL



8.4.1 Remove as shown.

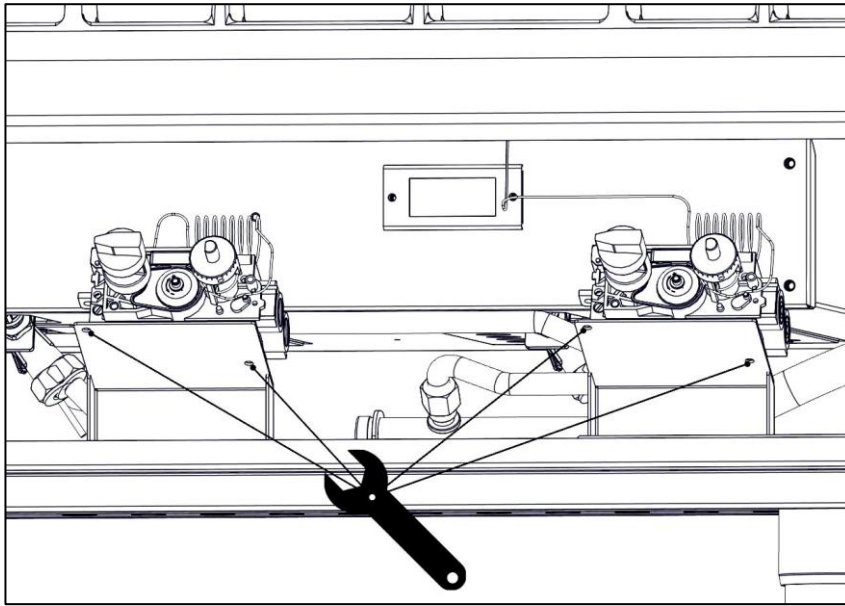
8.5 PILOT ASSEMBLY



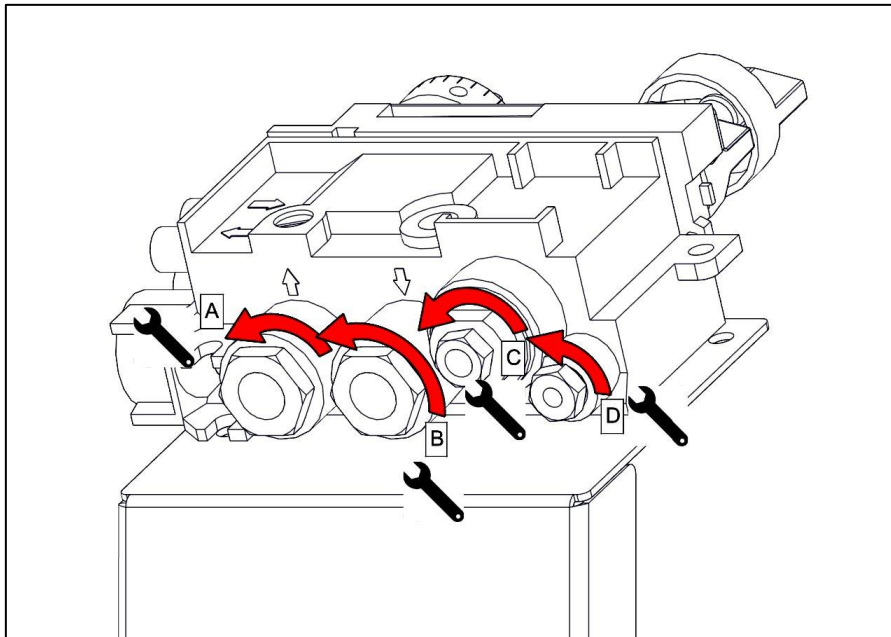
8.5.1 Remove pilot components as shown.

- A – Thermocouple
- B – Pilot Gas Pipe / Pilot Injector.
- C – Spark Electrode
- D – Pilot Bracket

8.6 GAS VALVE



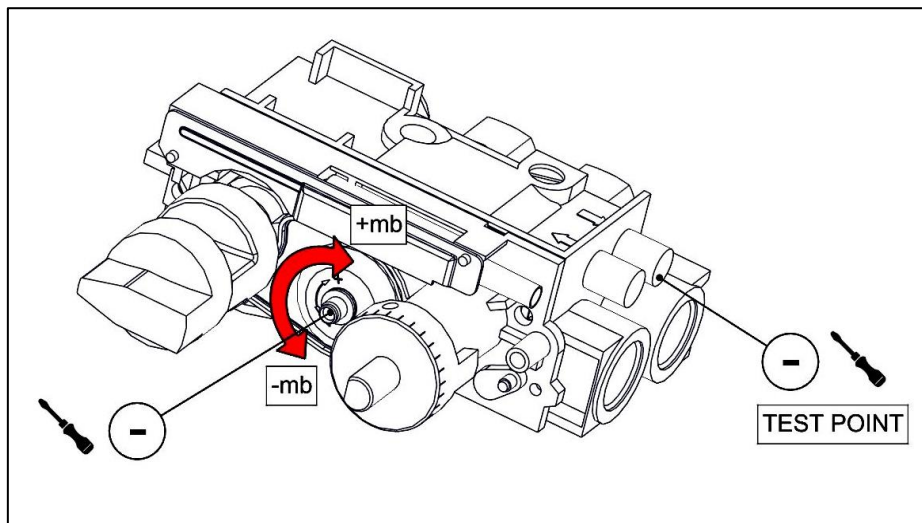
8.6.1 Remove gas valve as shown.



8.6.2 Remove connections as shown.

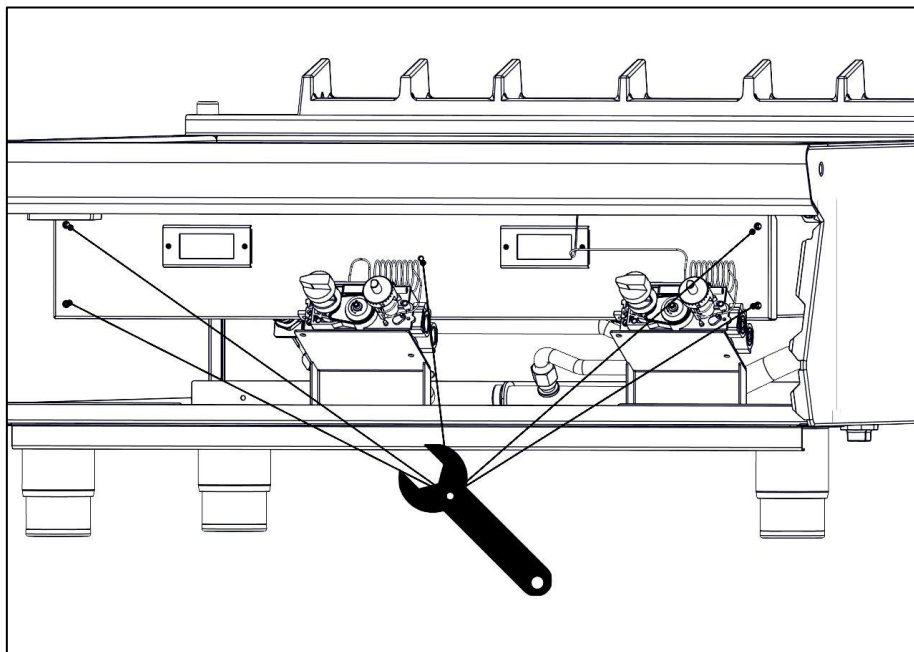
- A – Gas Out
- B – Gas In
- C – Thermocouple
- D – Pilot

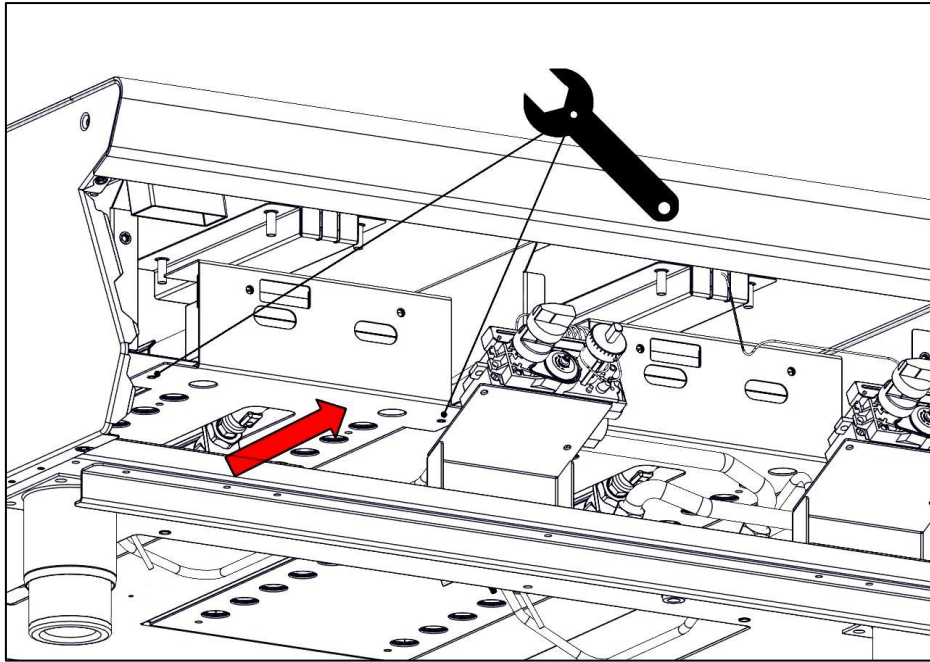
8.7 PRESSURE ADJUSTMENT



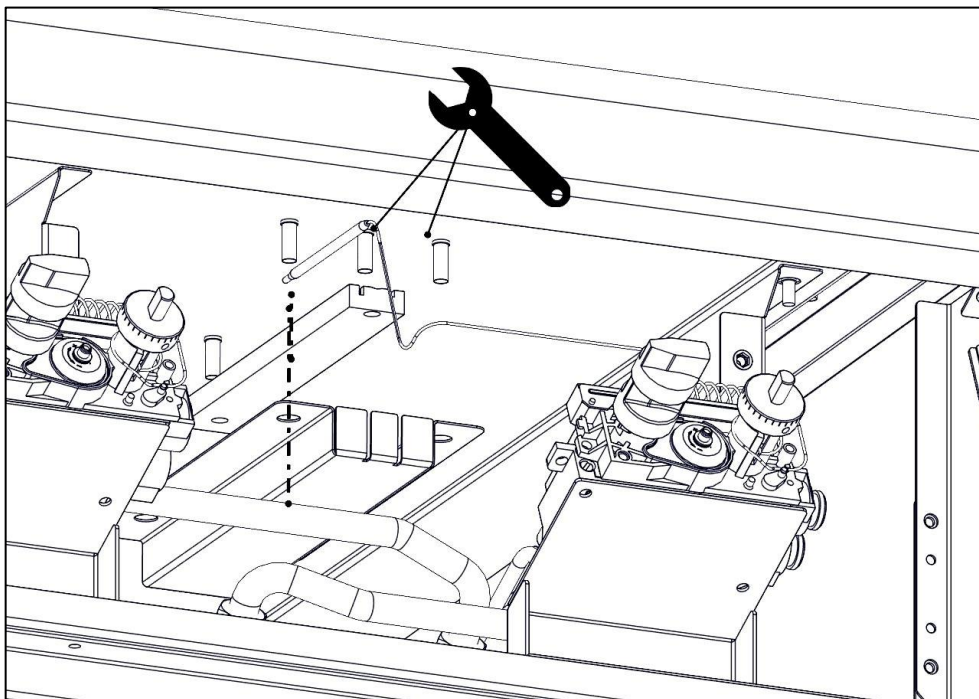
8.7.1 Adjust pressure as shown.

8.8 THERMOSTAT BULB REMOVAL

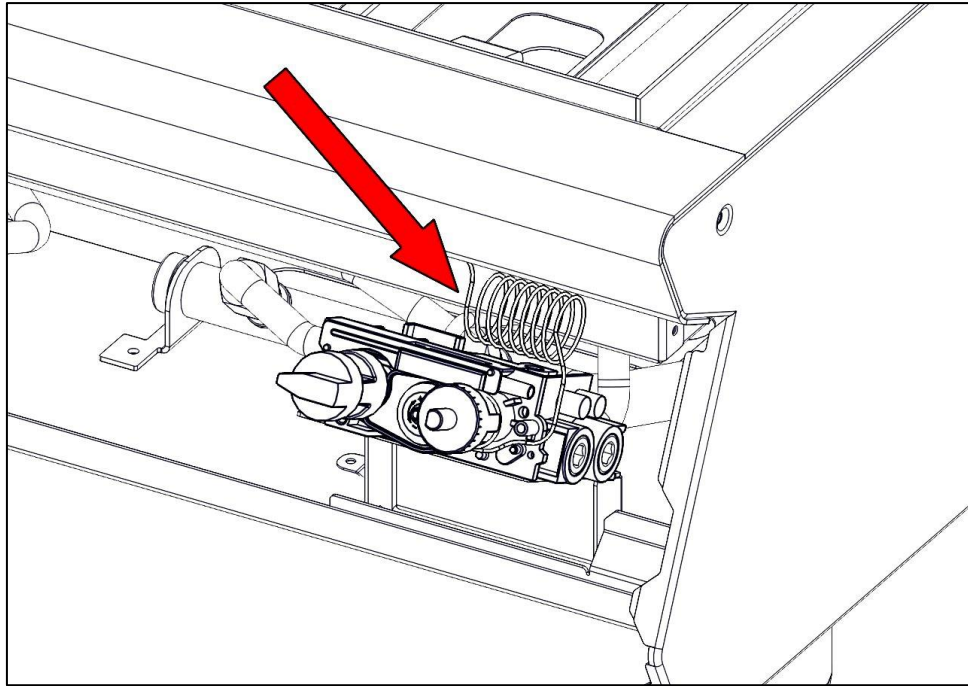




8.8.1 Remove Control panel as 8.1. Remove the fixings on the burner box front. Remove burner shroud fixings and pull burner shroud out as shown (moving operating thermostat as necessary) to provide access to the thermostat phial.

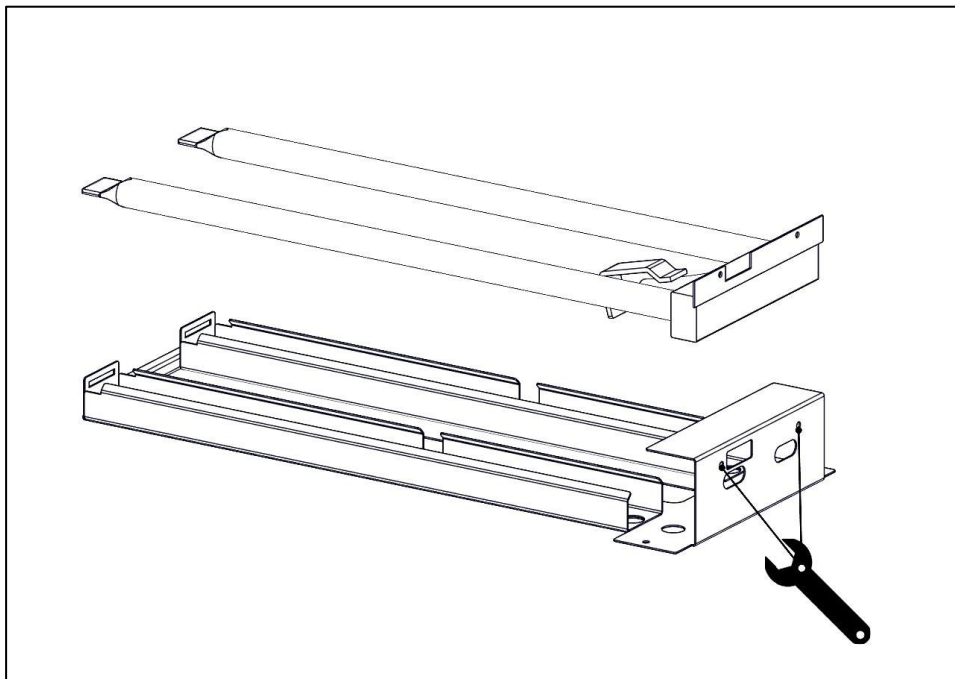


8.8.2 Remove cover and phial block to remove thermostat phial(s) as shown. (Phial is fitted in the slot to the right hand side).



8.8.3 Ensure all excess capillary tube coiled up and cable tied to “P” clips on valve.

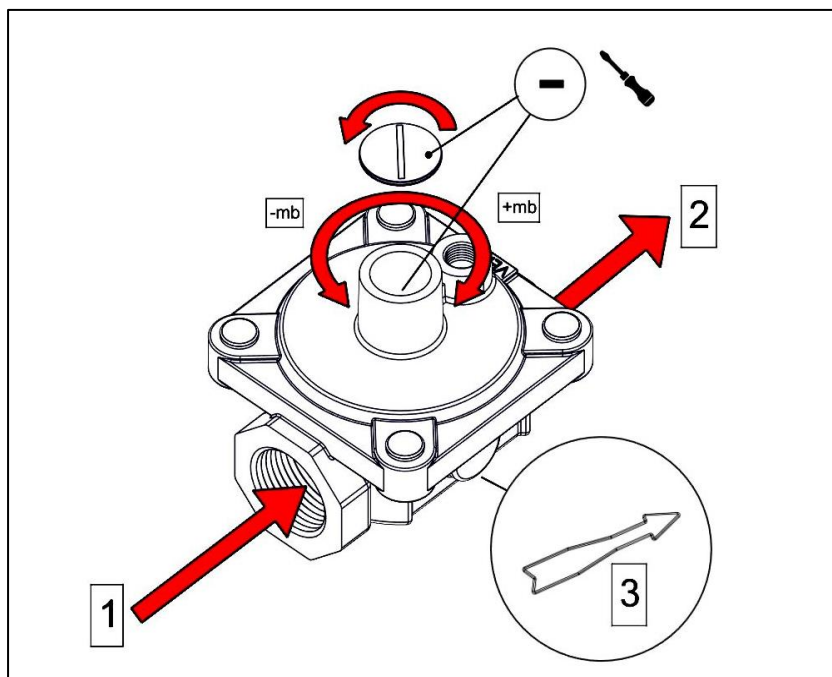
8.9 BURNER



8.9.1 Remove burner as shown.

8.10 GOVERNOR

8.10.1 This applies to G30 (50mb) models only.



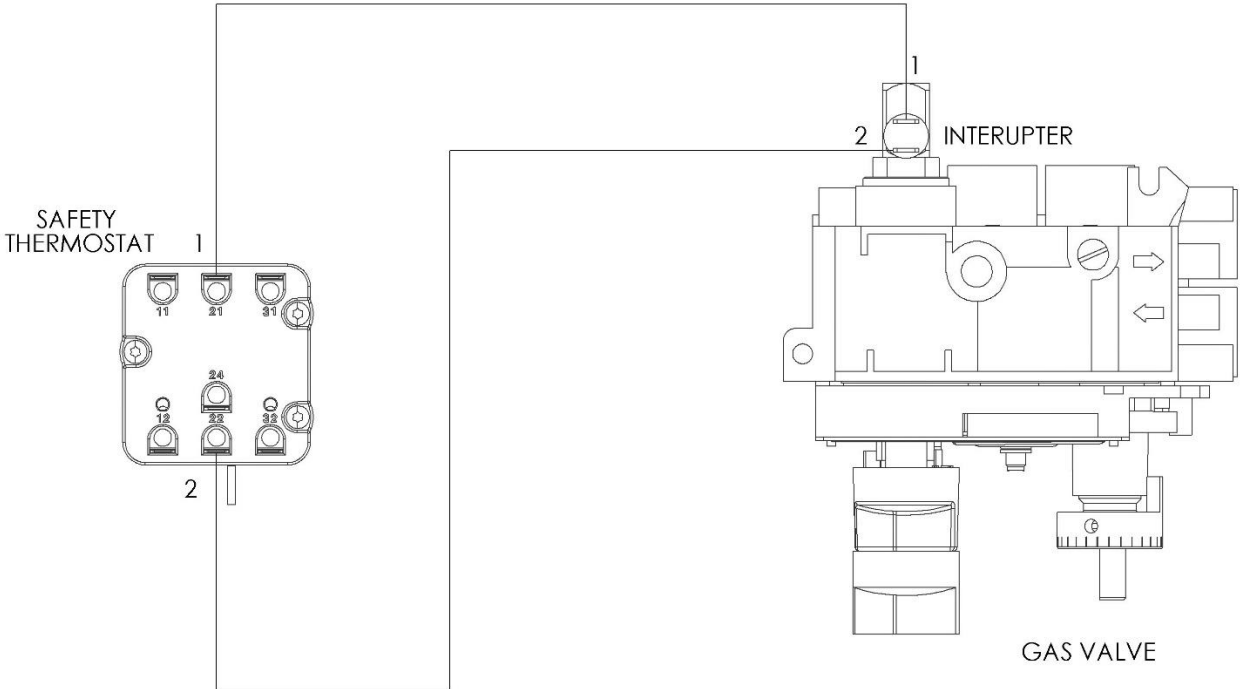
- 1 – Gas In
- 2 – Gas Out
- 3 – Direction of Flow



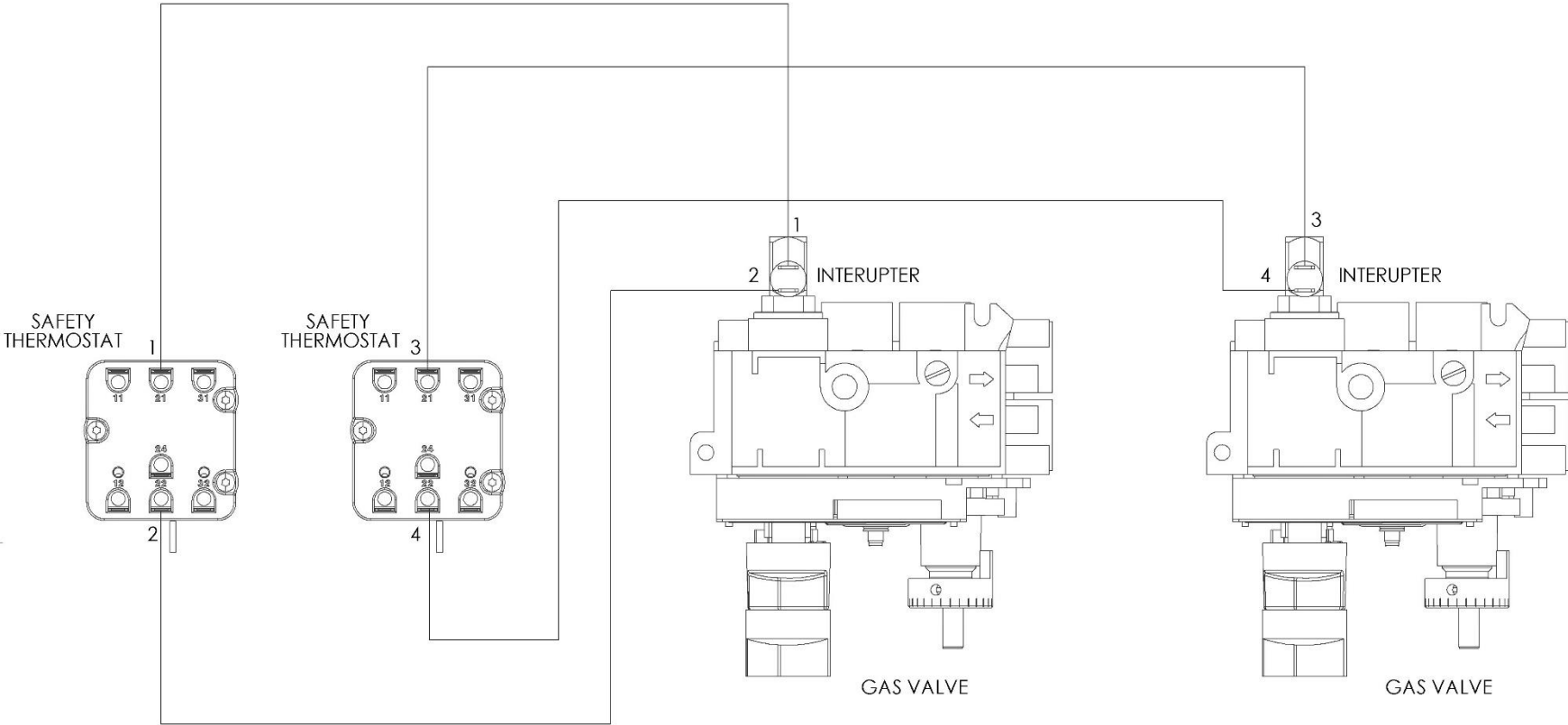
GOVERNOR SUPPLIED IS MAINTENANCE FREE. ENSURE THE BLUE DUST CAP COVERING THE VENT IS FITTED AND IN GOOD CONDITION.

9.0 WIRING DIAGRAMS

9.1 WIRING DIAGRAM (G9541CR)



9.2 WIRING DIAGRAM (G9581CR)



9.0 FAULT FINDING

FAULT	POSSIBLE CAUSES	REMEDY
Pilot does not light.	No gas supply.	Restore supply.
	Faulty spark igniter.	Test igniter button, lead and electrode. Replace as necessary.
Pilot does not stay lit.	Faulty thermocouple.	Check thermocouple is tight and tip is in pilot flame.
Main burner(s) does not light.	Gas pressure too low.	Check pressure, adjust as necessary.
	Injector(s) blocked or damaged.	Clear nozzle(s) or replace.
	Burner ports blocked.	Clear ports or replace.
	Gas tap(s) seized or blocked.	Clear or replace as necessary.
Slow/Poor heating.	Valve pressure wrong.	Check pressure and adjust if necessary.
	Burner ports blocked.	Check burner and clean if dirty.
	Low mains gas pressure.	Check with gas supplier.
	Gas supply isolated/off.	Restore supply. Check with gas supplier.

10.0 SPARE PARTS

PART DESCRIPTION
Gas Valve (Mild Steel)
Gas Valve (Chrome)
Pilot Assembly
Thermocouple (Mild Steel)
Electrode Assembly
Fat Jug (400)
Fat Jug (800)
Control Knob (Mild Steel)
Control Knob (Chrome)
Thermocouple (Chrome plate only)
Safety Thermostat (Chrome plate only)

When ordering spares, quote the following:

Model Number

Serial number

Gas Type

This information is found on data plate on front panel. (See section 1.0)

Visit our website for further spares information.

11.0 SERVICE INFORMATION

This unit carries an extensive mainland UK warranty. The warranty is in addition to and does not change your statutory or legal rights.

The warranty policy can be found on our website which details the conditions of the warranty and the exclusions.

<https://www.falconfoodservice.com/info-centre/policy>



Service calls to equipment under warranty will be carried out in accordance with the conditions of sale.

Warranty calls can be made between 8:30 am and 5:00 pm weekdays only.

To ensure your warranty enquiry is handled as efficiently as possible, ensure you have the following appliance information prior to calling us:

1. Model number – found on data plate
2. Serial number – found on data plate
3. Brief description of the issue

To contact Falcon for a warranty issue dial (UK only) 01786 455 200 and select Warranty Issues from the menu.